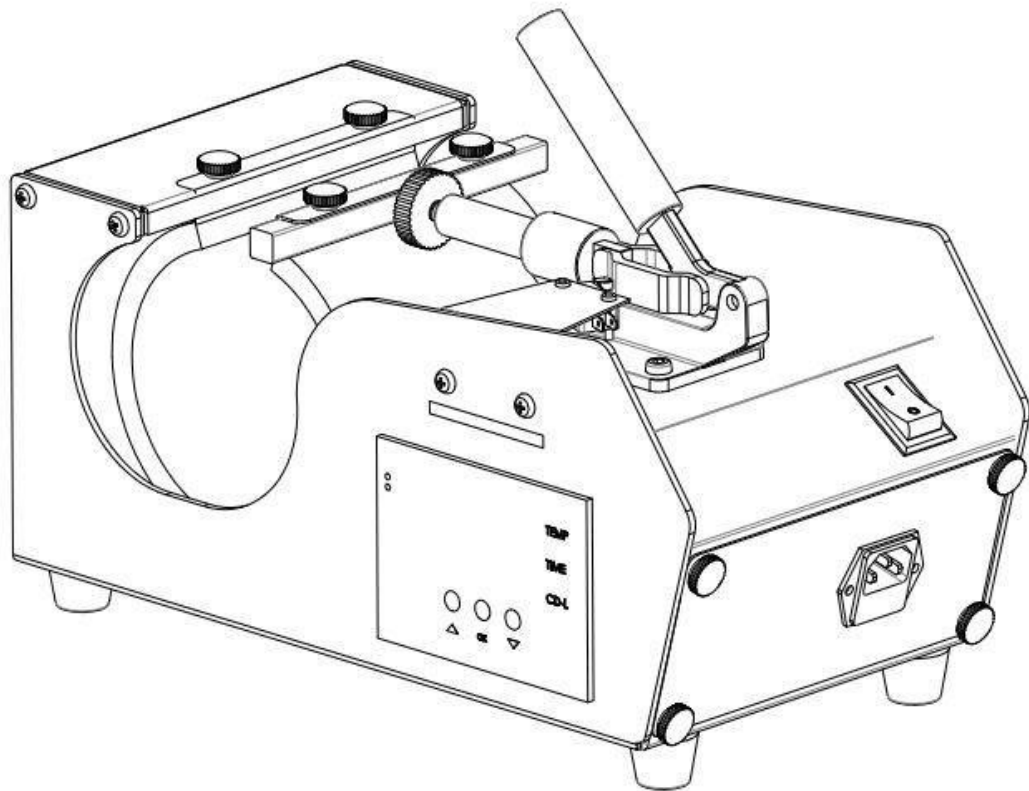


Digital Mug Heat Press Manual Model No

Model No: MP-60

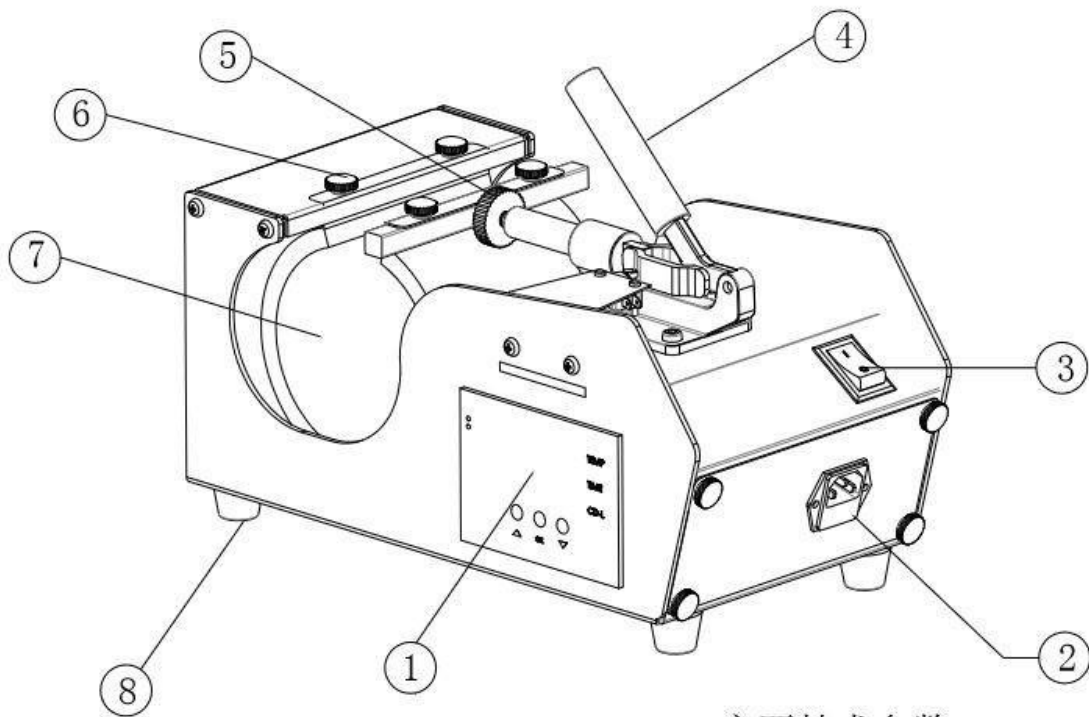


Contents

1. Assembly Drawing	2
2. Technical Parameters.....	2
3. Operating Process	3

1. Set temperature required 3
 2. Set time required 3
 3. Printing Methods..... 4
 4. Recommendations..... 4
 5. Maintenance 5
 6. Circuit Diagram 6

1. Assembly Drawing



- | | | |
|-----------------------------|------------------------------|-----------------|
| 1. GY-04 Digital Controller | 2. Power Socket | 3. Power Switch |
| 4. Handle toggle | 5. Pressure Adjustment Screw | |
| 6. M5 Screw | 7. Mug heater | 8. Machine Feet |

2. Technical Parameters





MP-60 Technical Parameters

Model No: MP-60

Machine Dimensions: 350*220*256mm
 Printable Articles Max Size: 100*200mm
 Voltage: 220v/Phase 1;120v/Phase 1
 Power: 0.2KW
 Time Range:0-999s
 Recommended Setting: 30-280s, 180-210°C
 Packing Size: 460*300*355mm

3. Operating Process

1. Set temperature required

		
<p>Switch on the machine via the power switch, the temperature light will be ON. The digital display will show the following on the LCD.</p>	<p>Press the OK button, this will enable you to select a temperature reading (C denotes Celsius). Press arrows "Δ" or "▽" to select "°C" or "°F" (F denotes Fahrenheit) according to your habits.</p>	<p>Press  button to confirm your desired temperature reading, the temp light will now display. Select with arrows the temperature according to different transfer material (Normally 180°C~200°C).</p>

2. Set time required

		
--	---	---

<p>Press the OK button after setting the temperature and the time is displaying the numeric values. Select with arrows the time according to different transfer material.</p>	<p>Press the OK button after setting the time; the display shows the temperature starts to rise. The “CD-L” reading shows the time counting down during your transfer.</p>	<p>Note: When the temperature showing on the display is not the same as actual temperature on heat platen, press the “OK” button for 5 seconds to enter the P5 mode (This is the temperature offset for the machine).</p> <p>Eg. When the display shows 200°C, and the actual heat platen temperature is 180 °C, press the up arrow “△” to calibrate the offset to +20, and then press “OK” button 5 seconds return to operation mode. When display shows 200°C, and the actual heat platen temperature is 220 °C, press the down arrow “▽” to set to -20, and then press the “OK” button 5 seconds return to operation mode. The temperature readings should now be accurate with the heat platen.</p>
---	--	---

3. Printing Methods

Step 1: Make sure the cord is connected well to the wall socket. Place the mug in the mug heater, tape the transfer paper with the printed images facing down on the mug, adjust the press to apply moderate pressure, and power on.

P.S: please use heat resistant tape to fix the transfer paper, make sure transfer paper is exactly attached to mug heater;

Step 2: Set the temperature and time required, then allow temperature to rise.

Step 3: When the temperature rises to the setting temperature, the buzzer will start to sound; apply pressure with the handle, (the sound will stop) the transfer will start.

Step 4: The timer will start to count down, once the time is up, take out the mugs. The transfer work has been completed.

DO NOT LET THE HEAT ELEMENT RUN WITHOUT A MUG IN PLACE, THIS WILL BURN THE ELEMENT OUT FASTER THAN ITS SERVICE LIFE.

4. Recommendations

Ceramic Mug Transfer: Set Temperature: 180°C. Set time: 150 seconds

5. Maintenance

1. No action after turn on the machine

- 1). Check the plug as to whether it connects well enough to the wall socket or whether it is broken.
- 2). Check the power switch or the digital controller whether it is broken.
- 3). Check the fuse whether it has been burnt out.
- 4). If the indicating light is on, but there is no visible display on screen, check the 5 cables of the Railway transformer. If it's loose this shows the problem is the result of a poor connection. If it connects well, this could be the transformer is faulty.

2. The display screen is working well, but the temperature is not increasing on the mug heater.

- 1). Check whether the thermocouple of the mug heater is connected well. If the thermocouple is loose, the display will show 255°C and also results in the machine beeping.
- 2). Check if the indicating light of solid-state relay is on, if not, check if the relay or digital controller is broken.
- 3). If you already changed the new solid-state relay but the mug heater still can't heat up, check if the mug heater is faulty or the mug heater's power cable is loose, if it is faulty a replacement mug heater will be required.

3. The display screen shows 255°C once you power on.

- 1). Check whether the thermocouple connection is loose or not.
- 2). If the thermocouple is connected well, but still shows a temperature of 255°C, then it is faulty.

4. The machine is heating during 0~180°C, but display number jumps to above 200°C or 300°C suddenly, or the numbers on display jumps irregularly.

- 1). Check whether the thermocouple of the mug heater is connected well.
- 2). If the thermocouple is connected, it shows that the program of the digital controller is broken. A replacement controller will be required.

5. The temperature is out of control: Set temperature is 180°C, but the actual temperature is above 200°C

- 1). This means the solid-state relay is broken, when the temperature is out of control, the relay will need to be replaced.
- 2). Or the digital controller is faulty and it keeps conveying electric to the relay, a replacement controller will be required.

6. The setting temp and time becomes abnormal after exchange the mug heater.

- 1). Please reset the temp and time referring to the operation process manual.

7. Other notices

- 1). In order to prolong the machine service life, please add the lubrication oil regularly to the joints.
- 2). In order to keep the mug heaters transfer effect, please protect it carefully whenever you are using or not.
- 3). Please store the machine in a dry place.

- 4). The mug heater is identified as a consumable. You will need to change this for a new one after doing transfer prints for roughly 700 cycles. If you use our Grade A mug heater, then you may change the mug heater after 2000 transfer cycles.
- 5). If you are not able to solve the electrical parts problem, please kindly contact the supplier and get technical support.

6. Circuit Diagram

